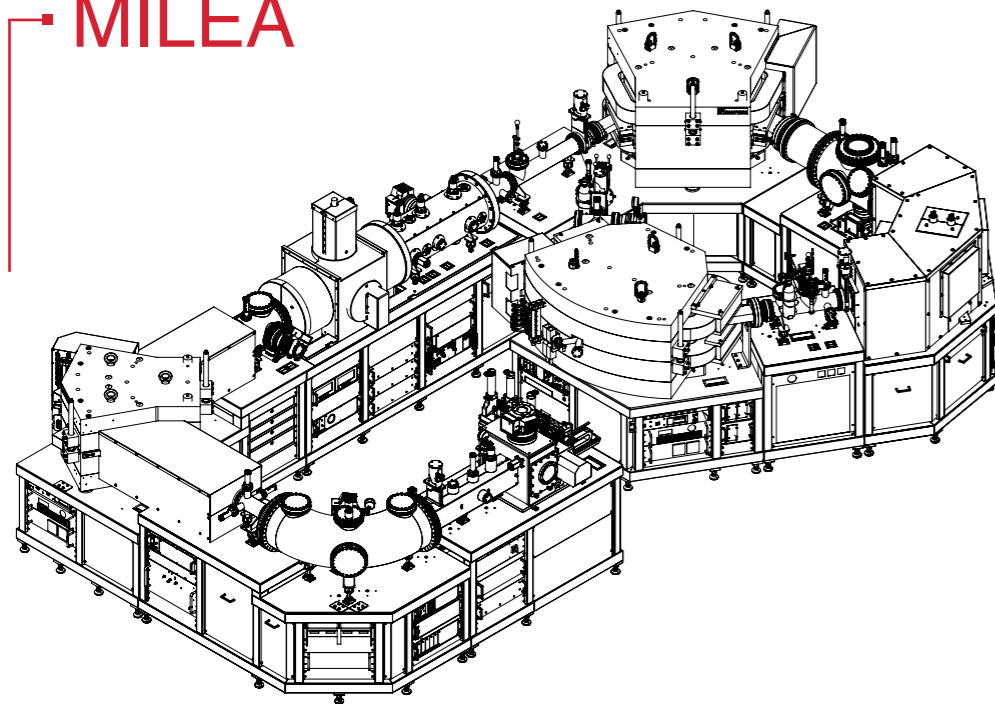




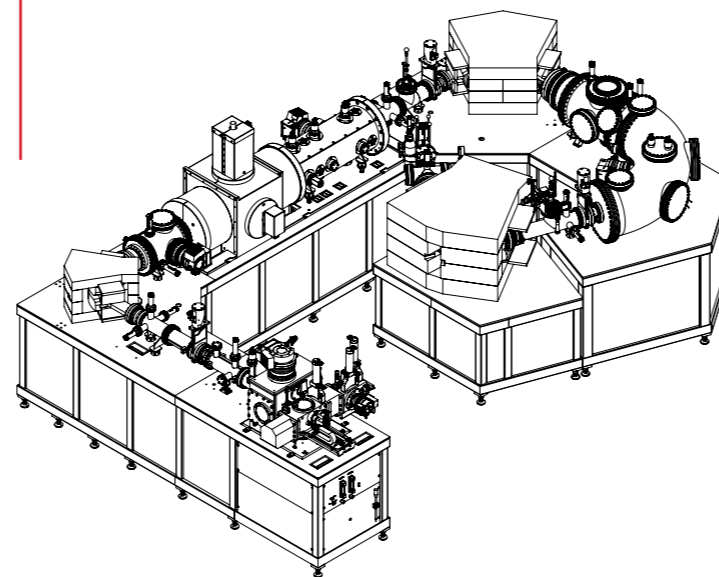
AMS Overview

Comparison of Ionplus AMS Instruments

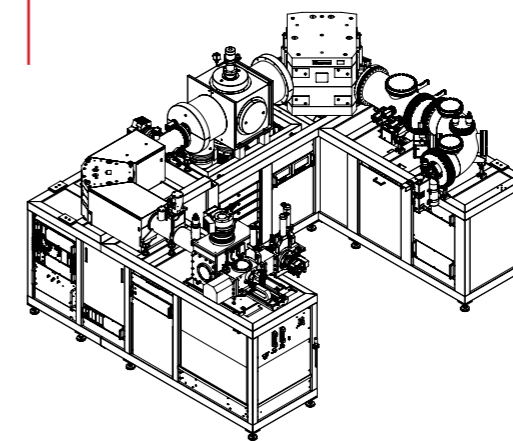
MILEA



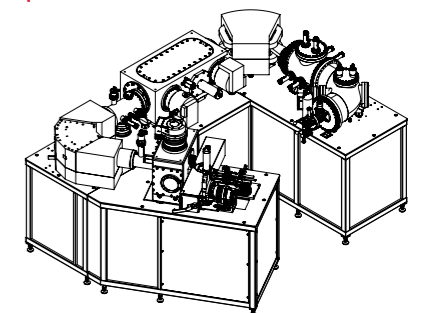
MILEA light



MICADAS



LEA



WIRE DRAWING

NOMINAL VOLTAGE

ISOTOPES

INTENDED USE

PRECISION ON ¹⁴C/¹²C

BLANK ON ¹⁴C/¹²C

DIMENSIONS

NOMINAL WEIGHT

TYPICAL POWER CONSUMPTION

COOLING

MILEA

300 kV

¹⁰Be, ¹⁴C, ²⁶Al, ⁴¹Ca, ¹²⁹I, U, Pu and other actinides

Applications of virtually all AMS isotopes with a focus on ¹²⁹I and actinides

2 ‰

<2E-15

3.5 m x 7 m
(24.5 m²)

15 000 kg

Max. 60 kW (Isotope-dependent)

Water cooling, 50 kW

MILEA light

300 kV

¹⁰Be, ¹⁴C, ²⁶Al, ⁴¹Ca available as an option

Applications in geology and earth system science

2 ‰

<2E-15

3.0 m x 4.8 m
(14.4 m²)

12 000 kg

Max. 60 kW (Isotope-dependent)

Water cooling, 50 kW

MICADAS

200 kV

¹⁴C

All ¹⁴C applications, including ultra-high precision (1 ‰)

2 ‰ (1 ‰ possible)

<2E-15

3.2 m x 2.6 m
(8.3 m²)

4 500 kg

<2.5 kW

Air

LEA

50 kV

¹⁴C

All ¹⁴C applications above 2 ‰ precision and dedicated gas (biomedical, source apportionment, etc.)

2 ‰

<2E-15

2.6 m x 1.8 m
(4.7 m²)

3 000 kg

<2.5 kW

Air